

# LD TYPE - LIGHT DUTY PULLING GRIPS

## ⚠ WARNING

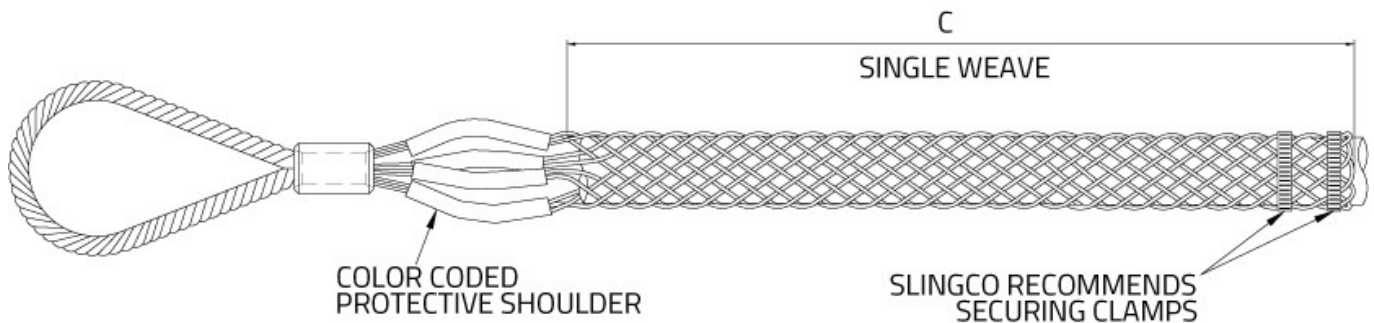
Cancer and Reproductive Harm: [www.P65Warnings.ca.gov](http://www.P65Warnings.ca.gov)



### KEY FEATURES

- ✓ Single-weave construction
- ✓ Colour coded for ease of identification
- ✓ Protective shoulders to prevent abrasion
- ✓ Suitable for bare or insulated conductors
- ✓ Flexible eye compatible with Line swivels

The HD, MD and LD type form a range of conductor grips that are quick and easy to attach and remove, in sizes from 8mm to 48mm, with MBL up to 24,000kgs and WLL 8,000kg. They are suitable for all common conductors, e.g. Horse, Lynx, Upas, Zebra and Araucaria plus earth wires OPGW. The flexible eye connects with Slingco line pulling swivels for trouble-free pulling applications. Made of galvanised steel.



Slingco Part No.	Colour Code	Range (in)	Range (mm)	Lattice Length (in)	Lattice Length (mm)	Min. Break Load (lb)	Min. Break Load (kg)	WLL (lb)	WLL (kg)
ZCS7233	Green	0.40 - 0.51	10 - 13	24	610	2,469	1,120	823	373
ZCS7234	Brown	0.51 - 0.75	13 - 19	24	610	3,704	1,680	1,235	560
ZCS7235	Light Blue	0.75 - 0.98	19 - 25	24	610	4,938	2,240	1,646	747
ZCS7236	Gold	0.98 - 1.50	25 - 38	24	610	9,877	4,480	3,292	1,493

This information is for marketing purposes only. The details contained herein is presented as general information and no representation or warranty is expressly or impliedly given as to its accuracy, completeness or correctness. It does not constitute part of a legal offer or contract. For technical specifications, please contact Slingco Limited.



### GET IN TOUCH

01706 855 558

[sales@slingco.com](mailto:sales@slingco.com)

# LD TYPE - LIGHT DUTY PULLING GRIPS


## Dimensions

The figures shown are indicative only. Fully dimensioned data-sheets are available on request. Nominal figures/actuals are as per data-sheet with tolerances of +/-10%. Please contact us if you have any questions.

**Range dimension overlaps** If the cable, rope or hose you have lies where ranges overlap, e.g. 1" when sizing is 0.5-1.00 and 1.00-1.5 we recommend that you select your cable grip to achieve break load first. If tensile strengths are equal or both adequate, choose the smaller of the two. Please contact us if you have any questions.



GET IN TOUCH

 01706 855 558

 [sales@slingco.com](mailto:sales@slingco.com)